

# West Bengal University of Technology

## Tender Form

### Stetting up Laboratories

**Notice No** : LAB/FO/10-11/3  
**Date of Issue** : 27-09-2010  
**D.D. No. for the Earnest Money** :  
**D.D. No. for the Tender Price** :

**Address:**

**BF-142, Sector-I,  
Salt Lake City,  
Kolkata-700064**

**Tele-Fax No:**

**(033) 2334-1034**

**Phone No.:**

**(033) 2321-1345**

# **Tender Paper for Stetting up Laboratories**

**Ref: Tender Notice No. LAB/FO/10-11/3 dated: 27-9-10**

**a) Name & Address of the Firm :**

**b) Telephone No:**

**c) Mobile No.:**

**d) Fax No:**

**2. Name of the items for which the Firm is interested:**

**3. Name of the Proprietors/partners/directors etc:**

**4. Trade License No (With Photocopy):**

**5. VAT License No:**

**6. Service Tax Registration No (With Photocopy):**

**7. Additional Information if the party wants to include:**

**8. Copies of Testimonials/credentials/certificates regarding services/experience etc:**

**Signature with Stamp**

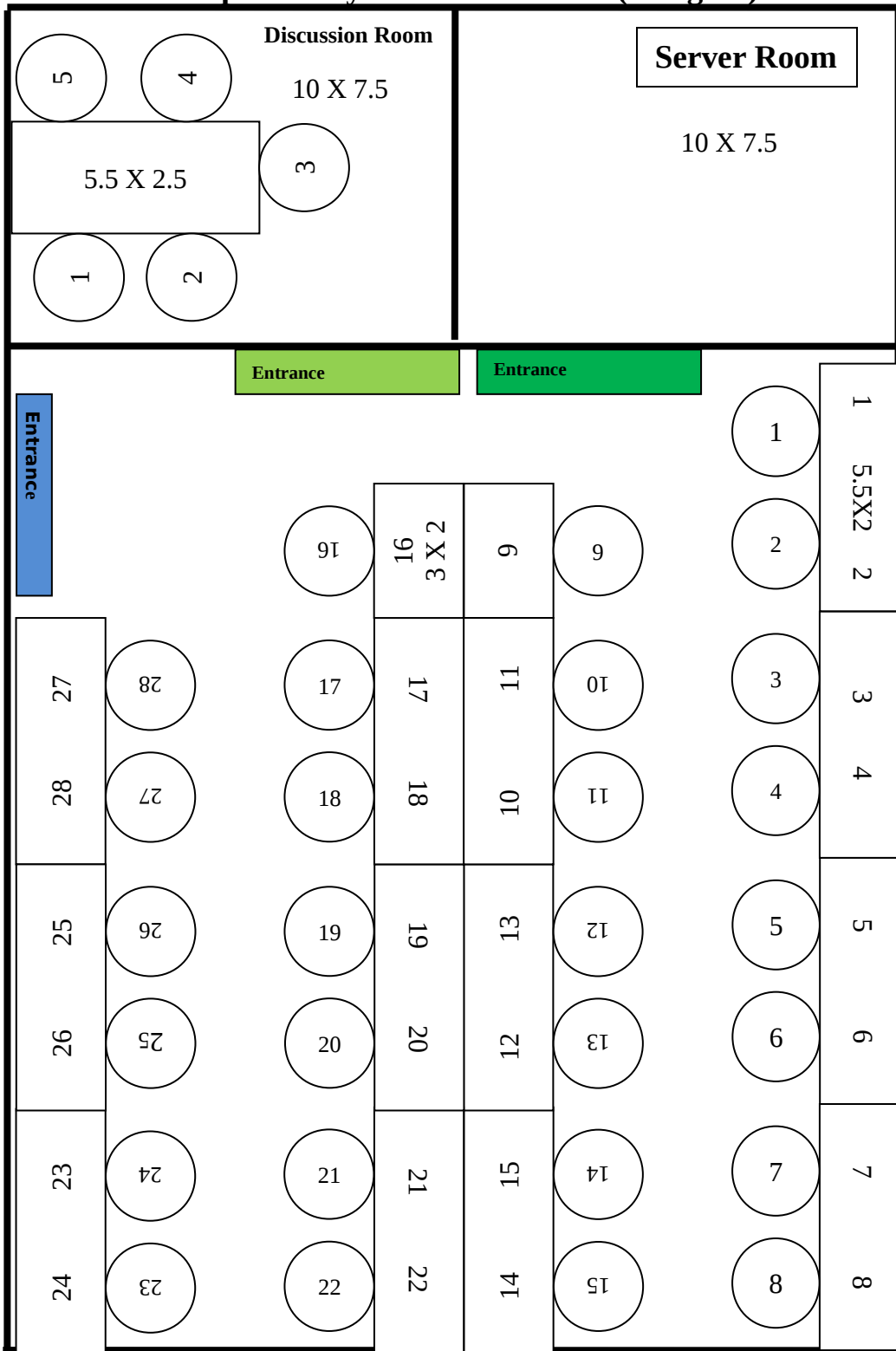
Please give sealed quotation for the following jobs I, II and III, clearly superscribing the tender notice number on the envelop.

## Job -I Project Laboratory Room No. 218

Job description:

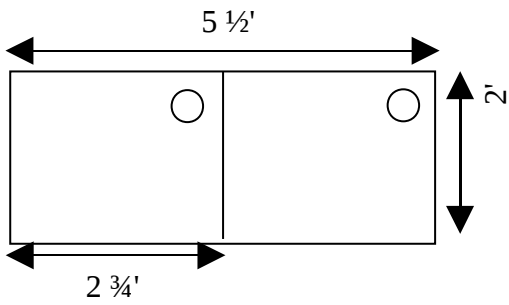
Serial No.	Items	Description	Quantity
1	Computer Table(Double)	Providing and fixing computer Table using 19 mm century water proof ply body, teak wood biting inside & outside century laminated finish with polish. Size 5 <sup>ft</sup> X2 <sup>ft</sup> X2.5 <sup>ft</sup> (as per Design 1)	13
2	Computer Table(Single)	Providing and fixing computer Table using 19 mm century water proof ply body, teak wood biting inside & outside century laminated finish with polish. Size 3 <sup>ft</sup> X2 <sup>ft</sup> X2.5 <sup>ft</sup> (as per Design 2)	2
3	Discussion -Table	Providing and fixing discussion Table using 19 mm century water proof ply body, teak wood biting inside & outside century laminated finish with polish. Size 5.5 <sup>ft</sup> X2 <sup>ft</sup> X2.5 <sup>ft</sup>	1
4	False ceiling	Aluminum(anodized) Chanel frame Gypsum board finish of a room of size 30 <sup>ft</sup> X20 <sup>ft</sup>	600sqft
5	Partition	Aluminum(anodized) partition with door of Aluminum(anodized) frame bar nova-pan board, 6mm glass, door locking & door closer (As Per design-3)	NA
6	Chair	Supreme: Regal Super Deluxe	40
7	Flooring	Providing and fixing the P.V.C flooring( 2mm ,Armstrong brand)	600sqft
8	Electric	Electric works as per the Design -3	NA
9	AC	Split AC 2 tons(Hitachi)	3
10	Fire Extinguisher	Providing and fixing fire extinguisher in the room 218 mentioned in Design-3	NA

### Proposed Layout of the Lab-218(Design-3)

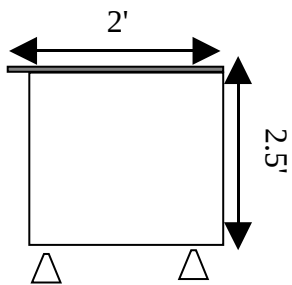


# Design-1

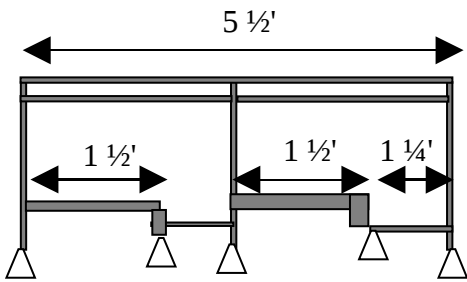
## Top View



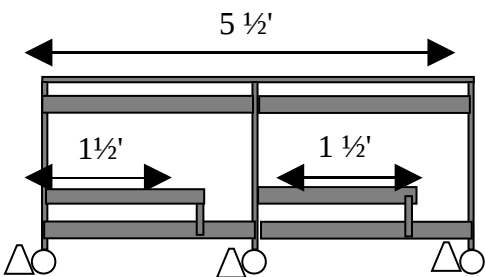
## Side View (from left)



## Front View

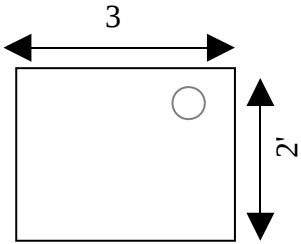


## Rear View

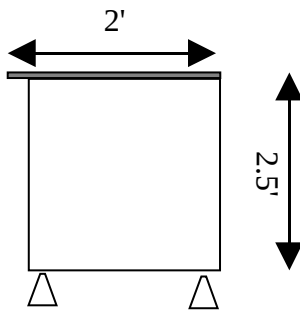


## Design-2

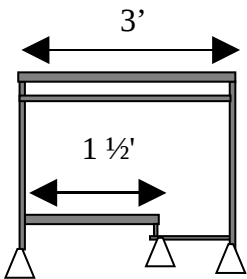
### Top View



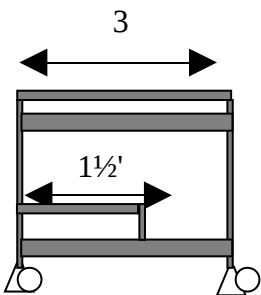
### Side View (from left)



### Front View



### Rear View



## **Job -II** Computer Laboratory Room No. 203

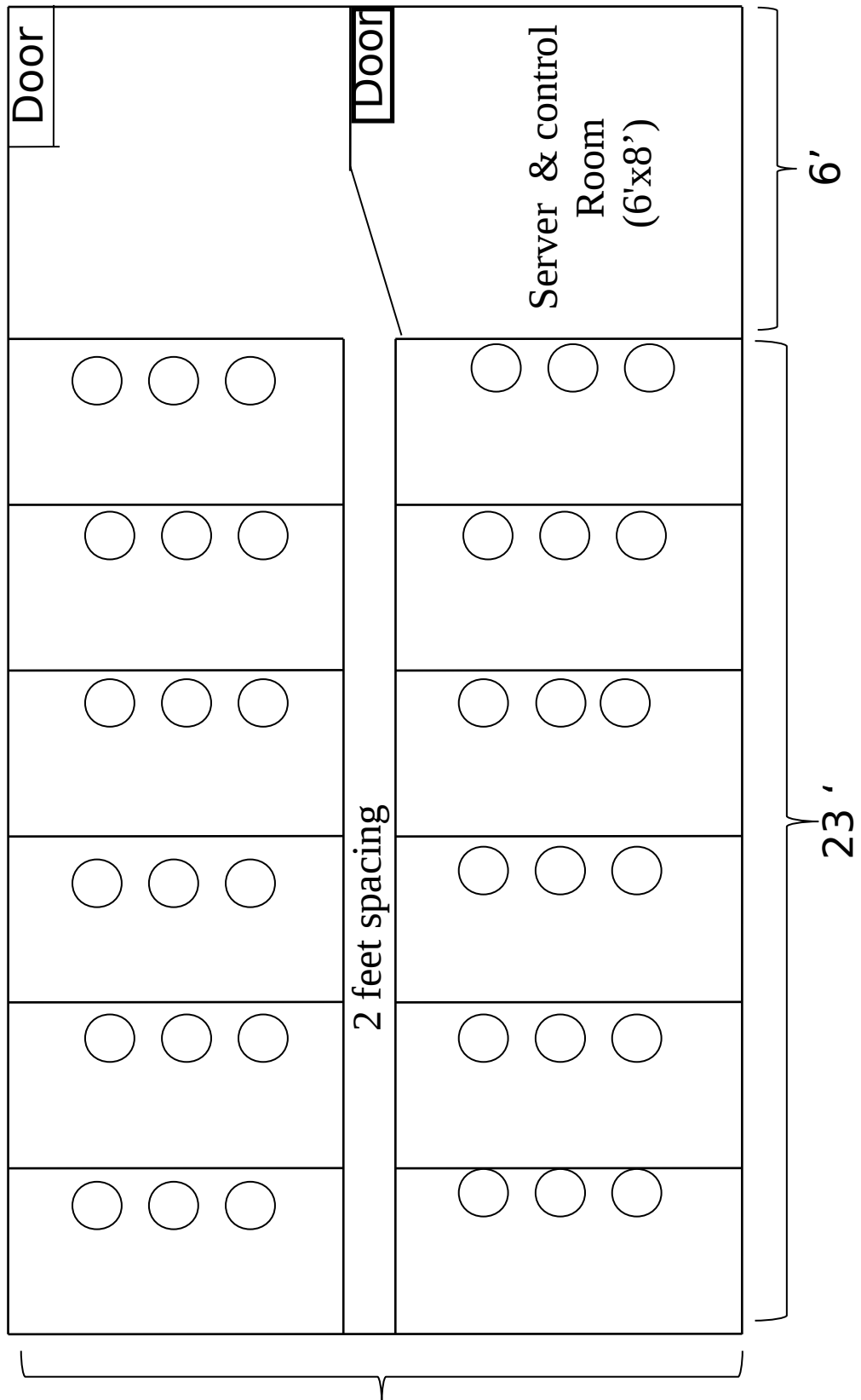
### Job description:

- Dimensions of the room no. 203 : 20' X 30'
- Dimensions of each computer system (computer table and chair) : 31" X 42"
- Computers are to be set row-wise along the breadth of the room. Each row will have 6 machines. There will be 6 such rows.
- Thus, a total of around 36 machines can be accommodated in the room.
- There will be a Server cum Control room(dimension: 6' X 8') at the corner of room no. 203.
- Details of the design are indicated in the diagram.

### Other Necessities

1. False Ceiling
2. Floor Matting
3. Air-conditioning
4. Computer tables and chairs for 36 machines
5. Two tables and four chairs for the Server cum Control room
6. Electrical wiring and provision for internet facilities
7. Fire extinguishers

# Design Layout of Computer Lab in Room No. 203



Dimension of each computer system (31" x 42") (breadth X length)



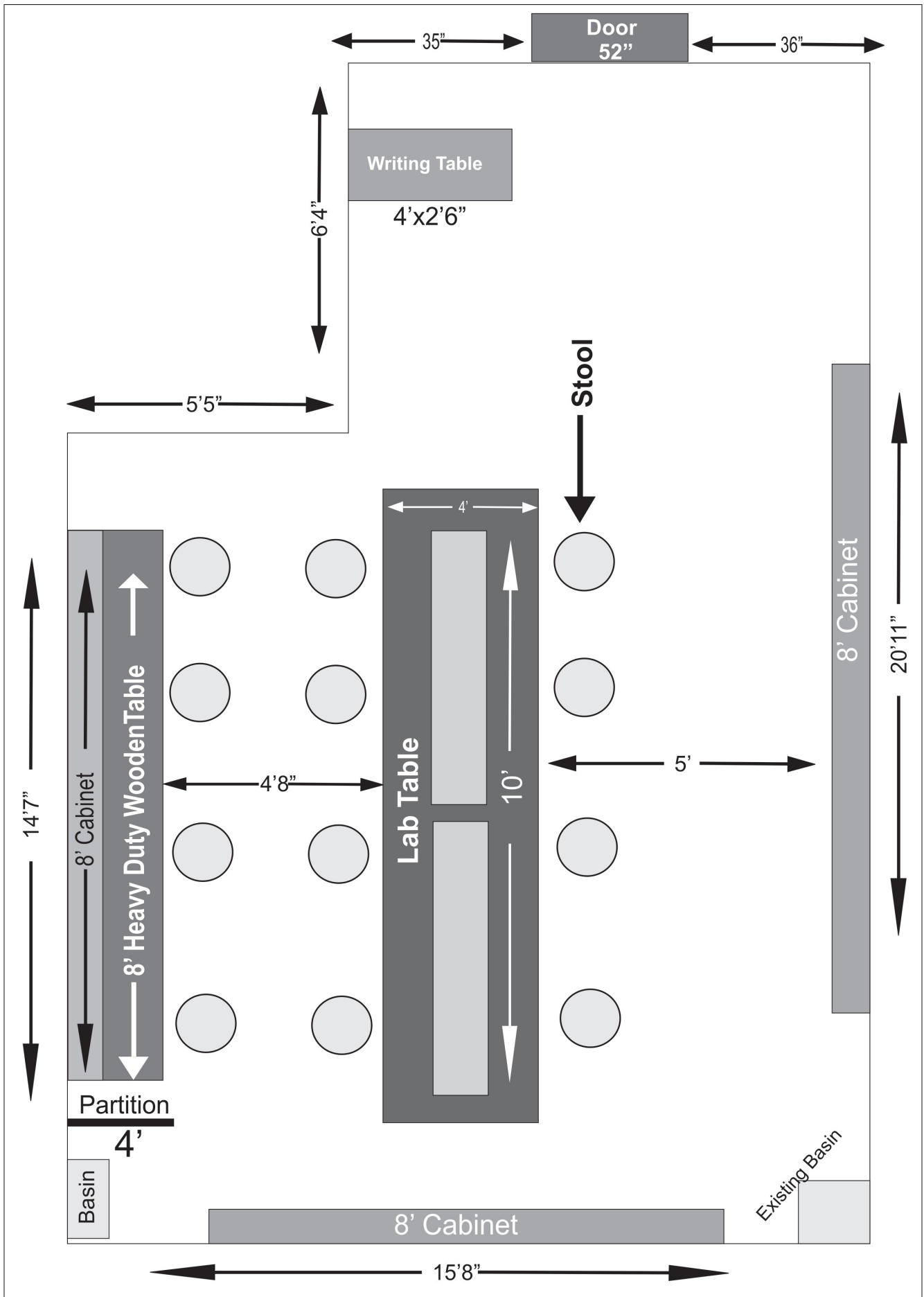
### Job -III Bio Laboratory Room No. G-23

Job description:

Item's description	Quantity
<b>False ceiling-</b> providing and fixing p.o.p false ceiling structure made by G.I channel of 24 guage & P.O.P 12mm thick board.	01
<b>Heavey Duty wooden table for instruments-</b> providing & fixing heavy duty wooden table leg 4"x4" & 1" thick top with gala polish. Drawer & cup board also provided with 19 mm ply & laminates 1mm with teak wood & liping Size – 8'x2.5'x3'	01
<b>Partition for basin area-</b> providing & fixing basin partition made by sal wood with 6mm BWR ply & 1mm laminates teak wood liping & gala polish. 4'x4'= 16sqft	01
<b>Lab Table</b> - Providing & fixing lab table made by 19mm BWR ply & 1mm laminates teak wood liping & gala polish. Arrangement of Reagent rack. Size 10'x4'x3'	01
<b>Reading Table</b> – Providing & fixing reading table with drawer in both side made by 19mm BWR ply & wooden structure & 1mm laminates Size: 48"x 36"x 30"	01
<b>Wall Cabinet</b> – providing & fixing wall cabinet in two compartment made by 19mm BWR ply & 1mm laminates teak wood liping & gala polish. Size 18'x 1'4"x 2'6"	01
<b>P.V.C Flooring</b> – providing & fixing PVC flooring(Armstrong) .	294 sqft
<b>Paints</b> – Providing two coats of paints (Asian paints acrylic emulsion) &two coats of primer. Color as per your choice.	960 sqft
<b>Stool:-</b> Providing S.S stool with revolving for bio-lab.	06

<b>Electrical installation work of Bio Technology Lab Room No G-23.</b>		
<b>Sl no</b>	<b>Specification</b>	<b>Quantity</b>
1	Wiring from light point / fan point / exhaust fan point / call bell point 1.5 Sq. mm. FR PVC insulated copper conductor multi core cable in surface / recessed PVC conduit with piano type switch, phenolic laminated sheet, suitable M.S. Box and earthing the point with 1.5 Sq. mm. FR PVC insulated conductor single core cable etc. as required.	12 nos
2	Wiring for circuit / sub main wiring along with earth wire with the following size of PVC insulated copper wire in surface or recessed PVC conduit as required. a) 2x6sq mm +1x 2.5 sq mm earth wire	80 mtr
3	Wiring for circuit / sub main wiring along with earth wire with the following size of PVC insulated copper wire in surface or recessed PVC conduit as required. a) 2x2.5 sq mm + 1x1.5 sq mm earth wire	60mtr
4	Wiring for circuit / sub main wiring along with earth wire with the following size of PVC insulated copper wire in surface or recessed PVC conduit as required. a) 2x4 sq mm + 1x 2.5 sq mm earth wire	133mtrs
5	Supply and fixing of 20A (Single phase) Industrial Socket - ABB make	05nos
6	Supplying and fitting fixing metal box of 180mm x 100mm x 60mm. deep (nominal size) on surface or in recessed with suitable size of phenolic laminated sheet cover in front incl. providing and fixing 6 pin, 2 no's 5/6 and 15/16 Amps. Socket outlet and 15/16 Amps. modular type switch, connection, painting etc. as required.	12nos
7	Supply and fixing of 4 way double door vertical TPN DB box. ( with out MCB) Make - ABB make	01 nos
8	Supplying & fixing of SP MCB 10 A - ABB make	1no's
9	Supplying & fixing of SP MCB 25 A - ABB make	5 no,s
10	Supplying & fixing of SP MCB 20 A - ABB make	6 nos
11	Supplying & fixing of incoming 63A TPN MCB - ABB make	01 nos
12	Supply of Philips make light fitting FBS 450/236 P5 PW HF with 2 X PL-L 36 Watt	8nos
13	Wiring for telephone points with 2 pair PVC insulated and sheathed tinned copper 0.6 sq mm cable in existing conduit	30 mtr
14	Supplying and providing modular type RJ 11 telephone out let including supplying and fixing of recessed metallic box, switchn plate and all civil work	01 set
15	Supplying and fixing computer socket (RJ 45 Cat 6) including necessary civil work.	4 no's

# Design Layout of the Bio Lab in Room No. G-23



## **General conditions:**

1. The tenderers are required to deposit the tender forms along with relevant papers(mentioned in the form) sealed cover.
2. The university reserves the right to accept or reject any tender without showing any reason.
3. Tender for supply of the goods mentioned in the notice may be submitted in full or in part.
4. Earnest money (refundable) of Rs. 2,000/- for each of the jobs shall have to be submitted along with the tender. The amount will be refunded within seven days of opening the tender.
5. Tender fee of Rs. 200/- has to be deposited along with the tender papers.
6. All payments should be made through demand drafts in favour of the 'West Bengal University of Technology' payable at Kolkata.
7. The last date of receiving of tender paper in the office of the finance officer is 6<sup>th</sup> October 2010 before noon. The paper will be opened on the same day at 2.00 pm.
8. Incomplete tender shall be summarily rejected.
9. Subcontracting in any form will not be entitled by the university.
10. All legal disputes shall be subject to jurisdiction of Calcutta High Court.